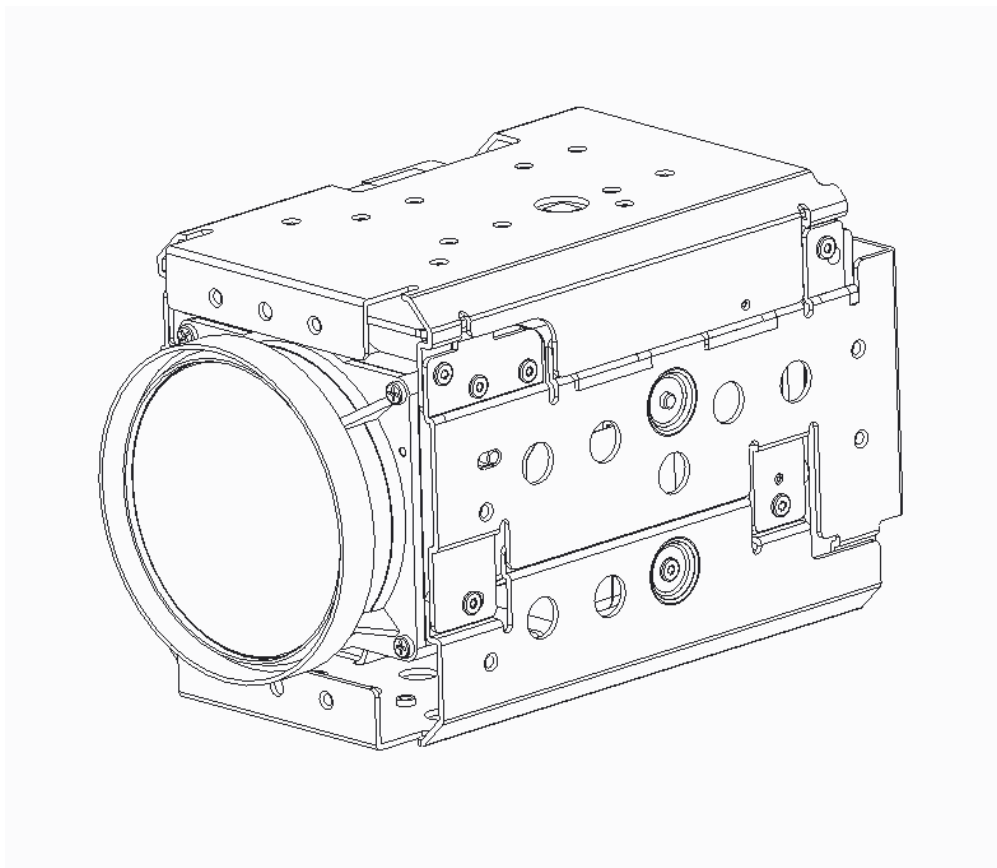
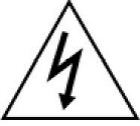



30x Zoom Block Camera Full-HD



REV. IVF30S1903 -01

	CAUTION RISK OF ELECTRIC SHOCK DO NOT OPEN	
CAUTION : TO REDUCE THE RISK OF ELECTRIC SHOCK, DO NOT REMOVE COVER. ACCESSORIES SOLD SEPARATELY. CONTACT QUALIFIED SERVICE PERSONNEL FOR INFORMATION ACCESSIBLE ACCESSORIES.		



The lightning arrowhead symbol in a triangle means to watch out for live wires that might cause an electrical shock.



The exclamation symbol in a triangle indicates an important operational and service instruction.

WARNING

Please note that the user is liable for any incidents in operating the unit if it is altered or modified without manufacturer's approval.

CAUTION

To prevent electric shock and risk of fire hazards:
Do not use power sources except for that specified.
Do not expose this appliance to rain or moisture.

This installation should be made by a qualified service person and should abide to all local codes.

SAFETY INSTRUCTIONS

Read Instructions

Read all of the safety and operating instructions before using the product.

Retain Instructions

Save this instructions for later use.

Cleaning

Unplug this appliance from wall outlet before cleaning. Do not use liquid cleaners or aerosol cleaners. Use a damp cloth for cleaning.

Water and Moisture.

Do not use this product near water or moisture.(For example. Near a bathtub, wash bowl, kitchen sink, or laundry tub, in a wet basement, or near swimming pool, etc.)

Installation

Do not place this product on an unstable cart, stand, or table. The product may fall causing serious injury to a child or adult, and damage to the product. Use only with a cart or stand recommended by the manufacturer, or sold with the product. Mounting should follow the manufacturer's instructions, and should use a mounting accessory recommended by manufacturer.

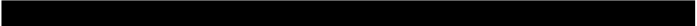
Power source

This Product should be operated only from the type of power source indicated on marking label. If you are not sure of the type of power supplied to your home, consult your dealer or local power company.



INDEX

1. FEATURES..... 4
2. DIMENSIONS..... 5
3. CAMERA INTERFACE 6
4. SPECIFICATION..... 8



1. FEATURES

- 1/2.8 inch sony STARVIS CMOS image sensor (approx. 2.1 million effective pixels)

Progressive scan

- WDR (Wide Dynamic Range) Function

- Video signals output

HD LVDS : Digital ITU-R BT.1120 - YcbCr4:2:2 16bits

Analog : SD CVBS (NTSC/ PAL), 1.0Vp-p 75Ω, Composite

HD SDI:

SMPTE 292M(1.485Gbps) 1920x1080p@25/29.97/30

1920x1080i@50/59.94/60

1280x720p@25/29.97/30/50/59.94/60

SMPTE 424M(2.97Gbps) 1920x1080p@50/59.94/60

- 30x optical zoom lens with F1.5 aperture(optical zoom + digital zoom = 360x)

- Day and Night

ICR for infrared cut filter

- Privacy Zone Masking function

- Communications protocol supported to be controlled remotely

- SONY-VISCA, PELCO-P/D, etc

- High performance functions

- 3D-DNR (Digital Noise Reduction)

- BLC (Back Light Compensation)

- Motion Detection

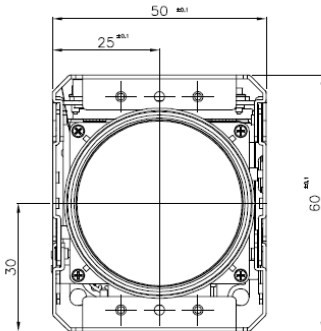
- Defog

- Image flip

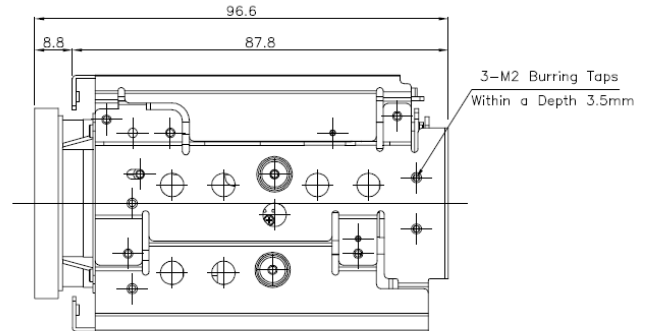
- HLC (High Light Compensation)

2. DIMENSIONS

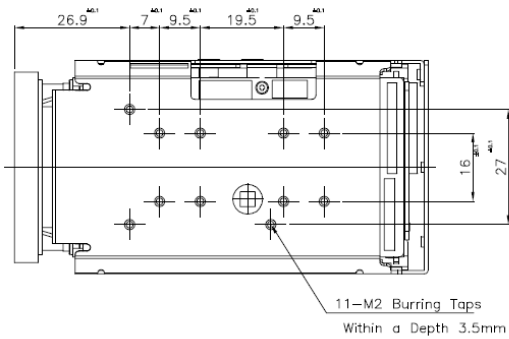
Front



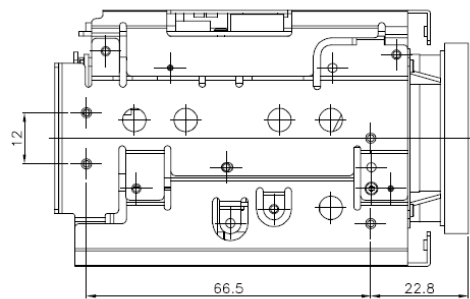
Right side



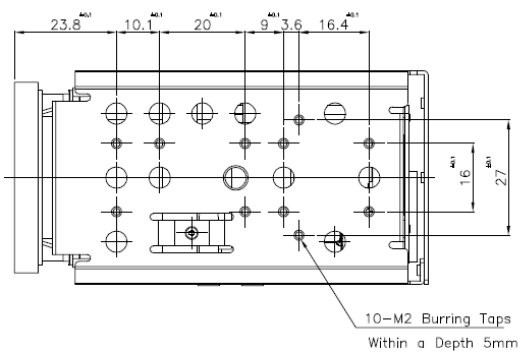
Top



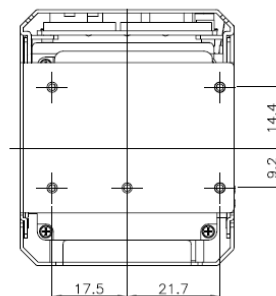
Left side



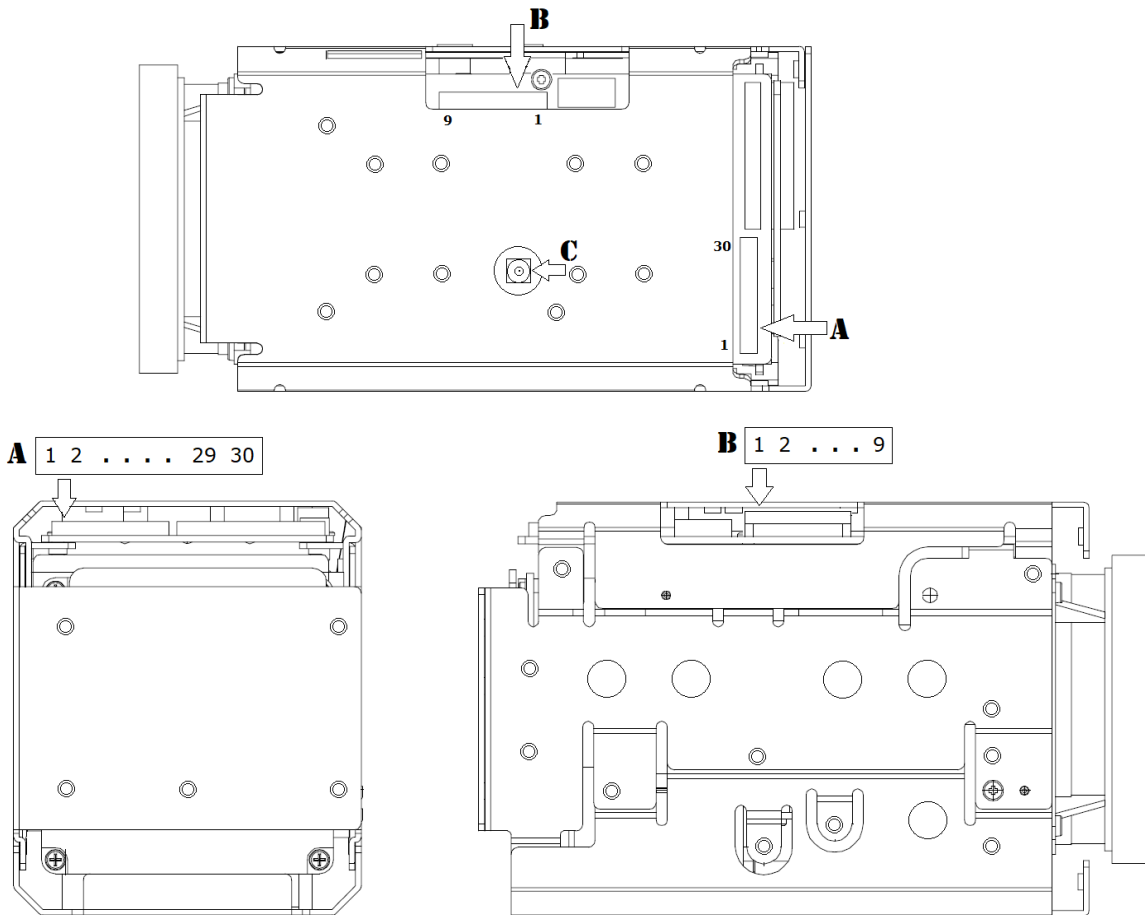
Bottom



Back



3. CAMERA INTERFACE



B connector:

Connector – Molex 52271-0979 (1.0mm pitch, Bottom Contact)

Pin	Name	Level
1	RXD (UART input)	CMOS 5V (High Min 2.5V)
2	TXD (UART output)	CMOS 5V (High Min 4.5V)
3	GND	
4	DC power input	9 ~ 15VDC
5	GND	
6	CVBS Output	
7	GND	
8	N.C	
9	N.C	

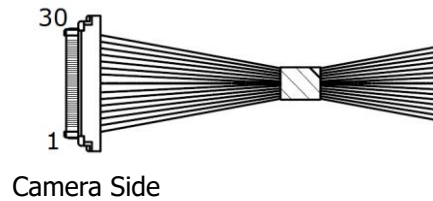
C connector: SDI

Connector –MMCX(micro-miniature coaxial)Female Jack

A connector :Recommended cable ASSY :

Cables - micro coaxial cable #42AWG

Connectors - USL20-30S (KEL)



KEL USL00-30L			
1	TXOUT3+ (LVDS)	16	DC (9~15V)
2	TXOUT3- (LVDS)	17	DC (9~15V)
3	TXCLKOUT+ (LVDS)	18	DC (9~15V)
4	TXCLKOUT- (LVDS)	19	KEY input
5	TXOUT2+ (LVDS)	20	GND
6	TXOUT2- (LVDS)	21	TXOUT7+ (LVDS) for Dual out mode
7	TXOUT1+ (LVDS)	22	TXOUT7- (LVDS) for Dual out mode
8	TXOUT1- (LVDS)	23	TXOUT6+ (LVDS) for Dual out mode
9	TXOUT0+ (LVDS)	24	TXOUT6- (LVDS) for Dual out mode
10	TXOUT0- (LVDS)	25	CVBS output
11	GND	26	EXT. Reset :Reset Low(GND), Normal Open(3.3V)
12	TXD (UART output) High Min. 4.5V	27	TXOUT5+ (LVDS) for Dual out mode
13	RXD (UART input) High Min. 2.5V	28	TXOUT5- (LVDS) for Dual out mode
14	DC (9~15V)	29	TXOUT4+ (LVDS) for Dual out mode
15	DC (9~15V)	30	TXOUT4- (LVDS) for Dual out mode

4. SPECIFICATION

IVZ-FZ30		SPECIFICATIONS
Sensor	Image Sensor	1/2.8" Progressive CMOS (2.1 mega)
	Scanning System	16:9 Progressive
	Sync. System	Internal
	Effective Pixel	1920(H) x 1080(V)
	Min. Illumination	0.05Lux (Day), 0.005Lux (Night), 0.0005Lux(DSS on)
	Horizontal Resolution	1000 TVL
Optics	Lens	30x optical Zoom, F=4.7~141 mm, F1.5(Wide) ~ F4.0(Tele)
	Zoom	30x optical zoom + 12x digital zoom = 360x
	Focus	Near/Far, Auto/Manual/One Push
	Angle of View(H)	60.5 degrees (wide end), 2.3 degrees (tele end)
	Min. working distance	T.B.D
Functions	Back Light Compensation	WDR, BLC, HLC(High Light compensation)
	Exposure	Auto / Manual
	White Balance	Auto(3,000°K~8,000°K) / ATW(1,900°K~11,000°K) / Manual
	Day & Night System	AGC / TDN(ICR)
	Electronic Shutter	NTSC: 1/30~1/10000, PAL: 1/25~1/10000, DSS(~ 1/1sec)
	Functions	Privacy Mask, Image Mirror, 3DNR, Flicker-less, Sharpness, Defog, DIS(Digital Image stabilizer), NegArt, Freeze
Video Outputs	Digital Output (LVDS) ITU-R BT.1120 YcbCr4:2:2 16bits	1920x1080p@25/29.97/30/50/59.94/60 1920x1080i@50/59.94/60 1280x720p@25/29.97/30/50/59.94/60
	SDI	SMPTE 292M(1.485Gbps): 1080p@25/29.97/30 1080i@50/59.94/60 720p@25/29.97/30/50/59.94/60 SMPTE 424M(2.97Gbps): 1080p@50/59.94/60
	CVBS	Analog Composite(1V ± 0.2 Vp-p) NTSC/PAL
	Control Interface	UART(5V level) PELCO-P/D, SONY-VISCA protocol 8bits data, 1 stop bit, no parity, 2400~115200bps
General	Operation Temperature	T.B.D
	Power Input	12VDC (7V to 15VDC)
	Power consumption	Max 5W (3.2W Lens inactive, 3.9W Lens active)
	Mass	Approx. 250g (8.8 oz.)
	Dimensions	96.6(D) x 50.0(W) x 60.0(H) mm

